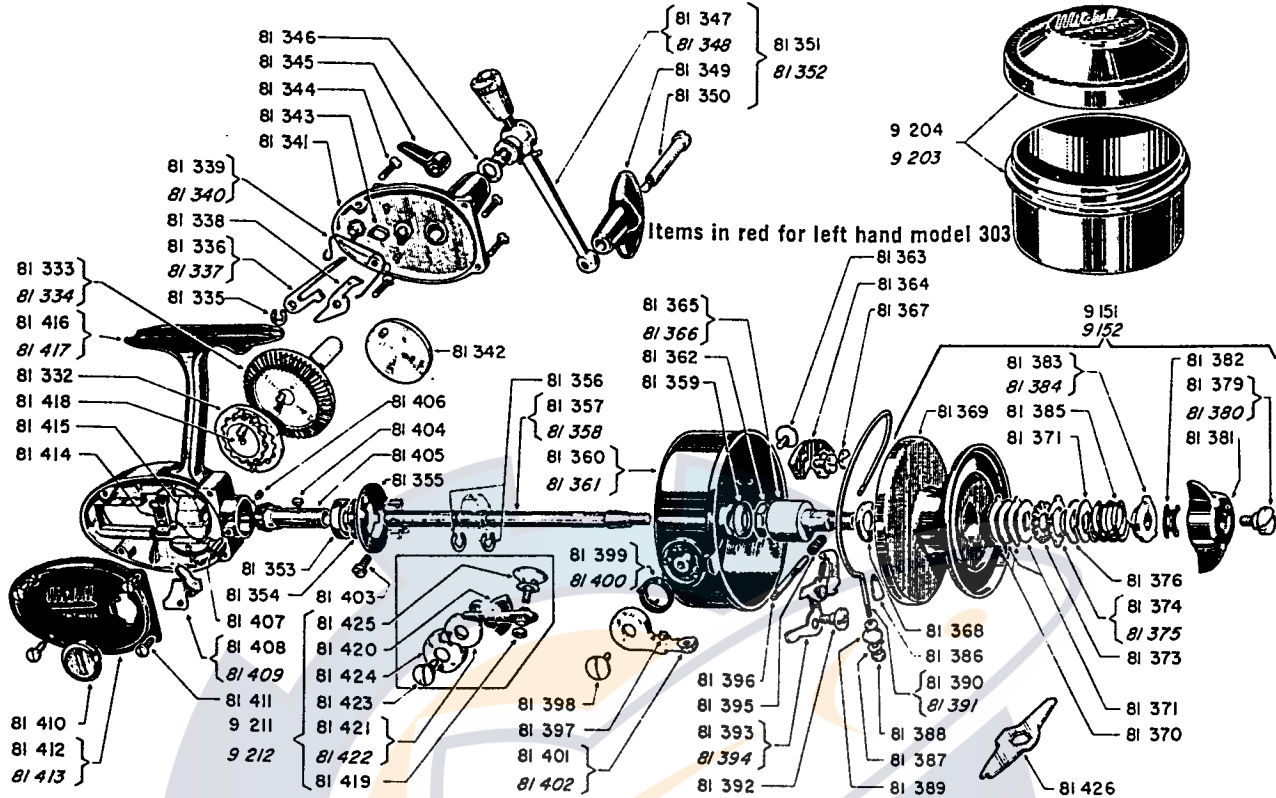


Garcia MITCHELL 302-303



Prices subject to change without notice

*Replaces 81332 and 81418 to convert planamatic gearing to crosswind

Please specify both the reel model and part numbers when ordering.

No.	Part Name	Price	No.	Part Name	Price	No.	Part Name	Price
9151	Spool, Complete, less container (302)	8.25	81349 (49B)	Handle Knob	.60	81388 (16)	Bail Wire Lock Nut	.20
9152	Spool Complete, less container (303)	8.25	81350 (49C)	Handle Knob Screw	.50	81389 (15)	Line Guide	.45
9203	Spool Container (303) (9152)	1.10	81351 (68)	Handle Complete (302)	3.50	81390 (14)	Bail Wire (302)	1.25
9204	Spool Container (302) (9151)	1.10	81352 (68L)	Handle Complete (303)	3.50	81391 (14L)	Bail Wire (303)	1.25
9211	Manual Pick Up, Complete (302)	4.50	81353 (32)	Ball Bearing	4.00	81392 (24)	Trip Lever Screw	.15
9212	Manual Pick Up, Complete (303)	4.50	81354 (31)	Ball Bearing Shield	.10	81393 (21)	Trip Lever (302)	.75
9232	Combination Tool	1.75	81355 (30)	Bushing	.15	81394 (21L)	Trip Lever (303)	.75
9244	Accessory Handle, Round Knob (302)	6.50	81356 (27)	Slide "C" Lock	(ea.) .10	81395 (23)	Bail Release Spring	.10
9245	Accessory Handle, Round Knob (303)	6.50	81357 (25)	Axle (302)	1.75	81396 (22)	Bail Release Pin	.20
81332 (44)	Planamatic Cam Ring	.50	81358 (25L)	Axle (303)	1.75	81397 (57)	Bail Bumper	.10
81333 (42)	Drive Gear (302)	3.75	81359 (62)	Hex Nut Lock Washer	.15	81398 (12)	Bail Screw No. 1	.25
81334 (42L)	Drive Gear (303)	3.75	81360 (19)	Rotating Head (302)	5.00	81399 (18)	Bail Spring (302)	.15
81335 (48)	Cam "C" Lock	.10	81361 (19L)	Rotating Head (303)	5.00	81400 (18L)	Bail Spring (303)	.15
81336 (46)	Anti Reverse Dog Cam (302)	.15	81362 (20)	Hex Nut	.25	81401 (17)	Bail Wire Mount (302)	1.60
81337 (46L)	Anti Reverse Dog Cam (303)	.15	81363 (13)	Bail Screw No. 2	.25	81402 (17L)	Bail Wire Mount (303)	1.60
81338 (45)	Anti Reverse Dog	.25	81364 (66)	Counterweight	.40	81403 (29)	Oscillation Guide Screw	.10
81339 (47)	Anti Reverse Dog Spring (302)	.15	81365 (11)	Spindle (302) (9152)	1.00	81404 (33)	Key	.10
81340 (47L)	Anti Reverse Dog Spring (303)	.15	81366 (11L)	Spindle (303) (9152)	1.00	81405 (50)	Pinion Gear	1.00
81341 (40)	Coverplate	4.00	81367 (67)	Counterweight Screw	(ea.) .10	81406 (35)	Set Screw No. 2	.10
81342 (58)	Cross Wind Cam	.40	81368 (10)	Drag Washer	.10	81407 (34)	Set Screw No. 1	.10
81343 (55)	Anti Reverse Lever Cam	.25	81369 (9)	Spool Shell	4.25	81408 (53)	Anti Inertia Brake (302)	.15
81344 (41)	Coverplate Screw	(ea.) .10	81370 (8B)	Keyed Drag Disk	(ea.) .20	81409 (53L)	Anti Inertia Brake (303)	.15
81345 (54)	Anti Reverse Lever	.25	81371 (8A)	Drag Disk	(ea.) .20	81410 (38)	Lube Port Cover	.25
81346 (49A)	Handle Spacer	.10	81372 (7C)	Ratchet	.20	81411 (39)	Side Plate Screw	(ea.) .10
81347 (49)	Handle Shank (302)	2.25	81374 (7B)	Click Spring (302) (9151)	.40	81412 (37)	Side Plate (302)	1.10
81348 (49L)	Handle Shank (303)	2.25	81375 (7BL)	Click Spring (303) (9152)	.40	81413 (37L)	Side Plate (303)	1.10
			81376 (7A)	Collared Spacer	.20	81414 (28)	Oscillation Guide	.35
			81379 (1)	Drag Assembly Screw (302) (9151)	.20	81415 (26)	Oscillation Slide	.65
			81380 (1L)	Drag Assembly Screw (303) (9152)	.20	81416 (37)	Housing (302)	6.00
			81381 (2)	Drag Adjusting Knob	.25	81417 (37L)	Housing (303)	6.00
			81382 (3)	Spring Washer	.20	81418 (43)	Planamatic Gear	.45
			81383 (4)	Wing Nut (302) (9151)	.50	81419 (92)	Line Guide Lock Nut	.10
			81384 (4L)	Wing Nut (303) (9152)	.50	81420 (95)	Manual Counterweight	.25
			81385 (6)	Coil Spring	.25	81421 (90)	Manual Pick Up Mount (302)	.75
			81386 (51)	Bail Wire Cone	.45	81422 (90L)	Manual Pick Up Mount (303)	.75
			81387 (16A)	Bail Wire Lock Washer	.10	81423 (94)	Manual Lock Screw	.25
						81424 (93)	Manual Mount Lock	.25
						81425 (91)	Manual Roller Guide	2.25
						81426 (56)	Utility Tool	.25

PARTS AND SERVICE AVAILABLE AT THE FOLLOWING REGIONAL FACTORY REPAIR DEPOT

REEL SERVICE AND PARTS

SHERMAN LOYD SALES COMPANY
4737 GREENVILLE AVENUE
DALLAS, TEXAS 75206

HARRY C. MILLER CO., INC.
257 PARK AVENUE SOUTH
NEW YORK, NEW YORK 10010

NATE BUELL SERVICE CORPORATION
5013 N. E. 42nd STREET
PORTLAND, OREGON 97218

RODS, REELS AND PARTS SERVICE
THE GARCIA SERVICE DEPARTMENT
329 ALFRED AVENUE
TEANECK, NEW JERSEY 07666

THE CONOLON CORPORATION
1111 EAST McFADDEN STREET
SANTA ANA, CALIFORNIA 92705

SILICOTE SALES DIVISION
520 WEST 14th AVENUE
OSHKOSH, WISCONSIN 54902

J. K. CLARK COMPANY
ACO SPORTSMEN SERVICE
13501 VAN DYKE
DETROIT, MICHIGAN 48234